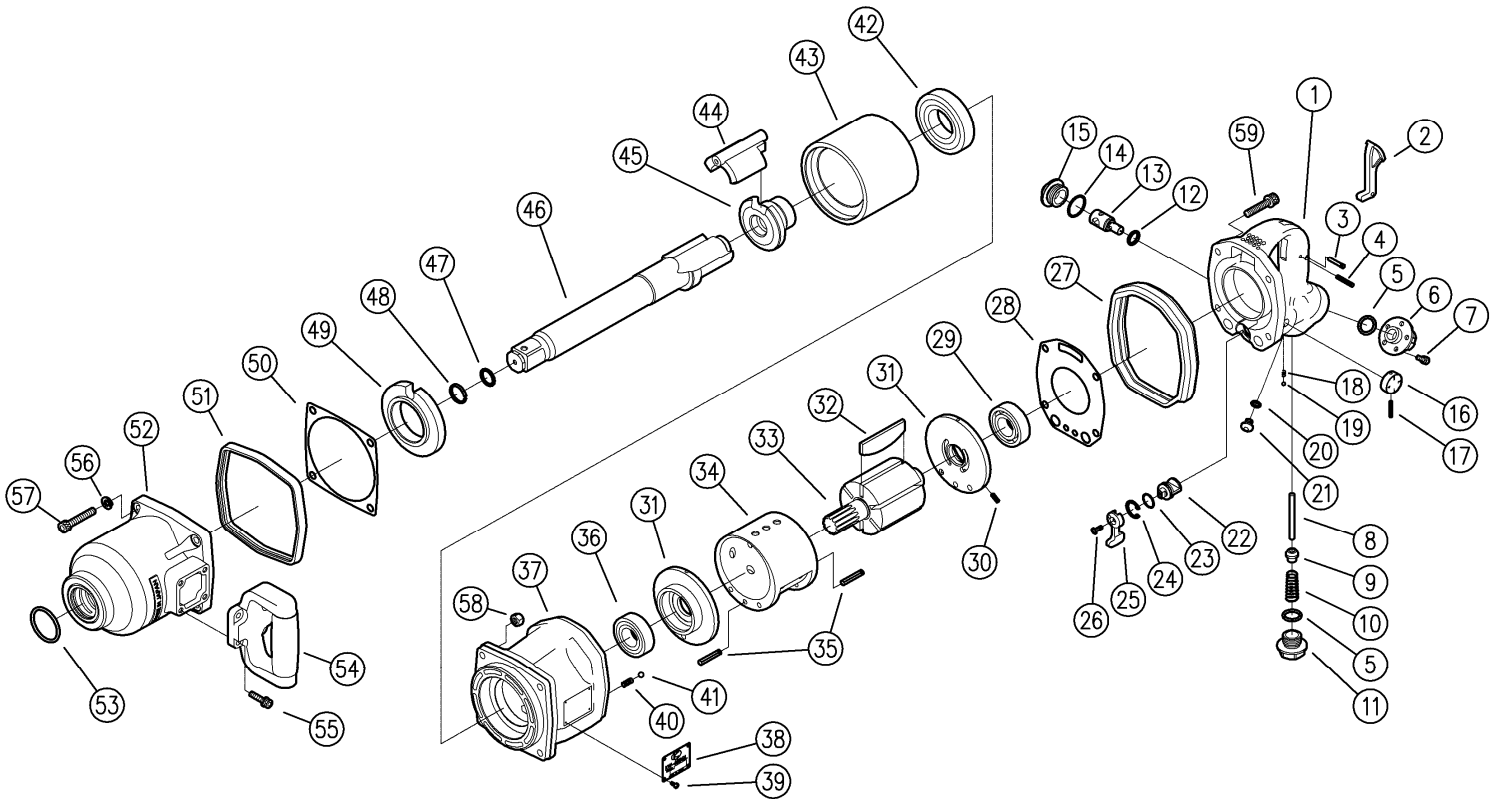


## KW-480GL



REF.NO.	PART NO.	PART NAME	Q'TY	REF.NO.	PART NO.	PART NAME	Q'TY
1	0448080	HANDLE C.P	1	36	Z0016205ZZ	BALL BEARING	2
2	0448012	THROTTLE LEVER	1	37	0448081	MOTOR CASE C.P	6
3	Z13964	PIN	1	38	0448095	NAME PLATE	1
4	Z0564X25	PIN	1	39	Z0850X3	RIVET	1
5	Z04317030	O-RING	2	40	0132991	SPRING	2
6	0448011	INLET BUSHING	1	41	Z0106D	STEEL BALL	1
7	Z0665X14A	BOLT	5	42	Z0016208ZZ	BALL BEARING	1
8	0448013	THROTTLE VALVE PIN	1	43	0448026	HAMMER WHEEL	1
9	04480131	THROTTLE VALVE	1	44	0448028	HAMMER	4
10	0448038	THROTTLE VALVE SPRING	1	45	0448027	CAM	1
11	04480381	PLUG	1	46	0448084	ANVIL C.P	1
12	Z040P14	O-RING	1	47	Z04318023	O-RING	1
13	0448017	REGULATING VALVE	1	48	0448034	RETAINER RING	1
14	Z041S26	O-RING	1	49	0448029	THRUST PLATE	1
15	04480391	PLUG	1	50	0448007	CLUTCH CASE GASKET	1
16	0448018	REGULATING VALVE KNOB	1	51	0448004	FRONT RUBBER PROTECTOR	1
17	Z0563X22	SPRING PIN	1	52	0448082	CLUTCH CASE C.P.	1
18	0114193	KNOCK SPRING	1	53	Z040P40	O-RING	1
19	Z0104D	STEEL BALL	1	54	0442387	D-HANDLE	1
20	Z040P8	O-RING	1	55	Z0666X20A	BOLT	1
21	Z0688X8	SCREW	1	56	Z0968X1	WASHER	1
22	0448015	REVERSING VALVE	1	57	Z0668X45	BOLT	1
23	Z041S18	O-RING	1	58	Z0918	NUT	1
24	Z03121	RETAINER RING	1	59	Z0668X30A	BOLT	1
25	0448016	REVERSING LEVER	1				
26	Z0674X12	SCREW	1				
27	0448005	REAR RUBBER PROTECTOR	1				
28	0448006	MOTOR CASE GASKET	1				
29	Z0016205	BALL BEARING	1				
30	Z0564X12	SPRING PIN	1				
31	0448023	END PLATE	2				
32	0448022	ROTOR BLADE	6				
33	0448021	ROTOR	1				
34	0448020	CYLINDER	1				
35	Z0566X32	MOTOR CASE C.P	2				



## KUKEN CO., LTD.

3-6-15 Nonoue, Habikino-shi, Osaka 583-0871, Japan

Tel : +81-72-953-3346 Fax : +81-72-953-0605

2014/10/29