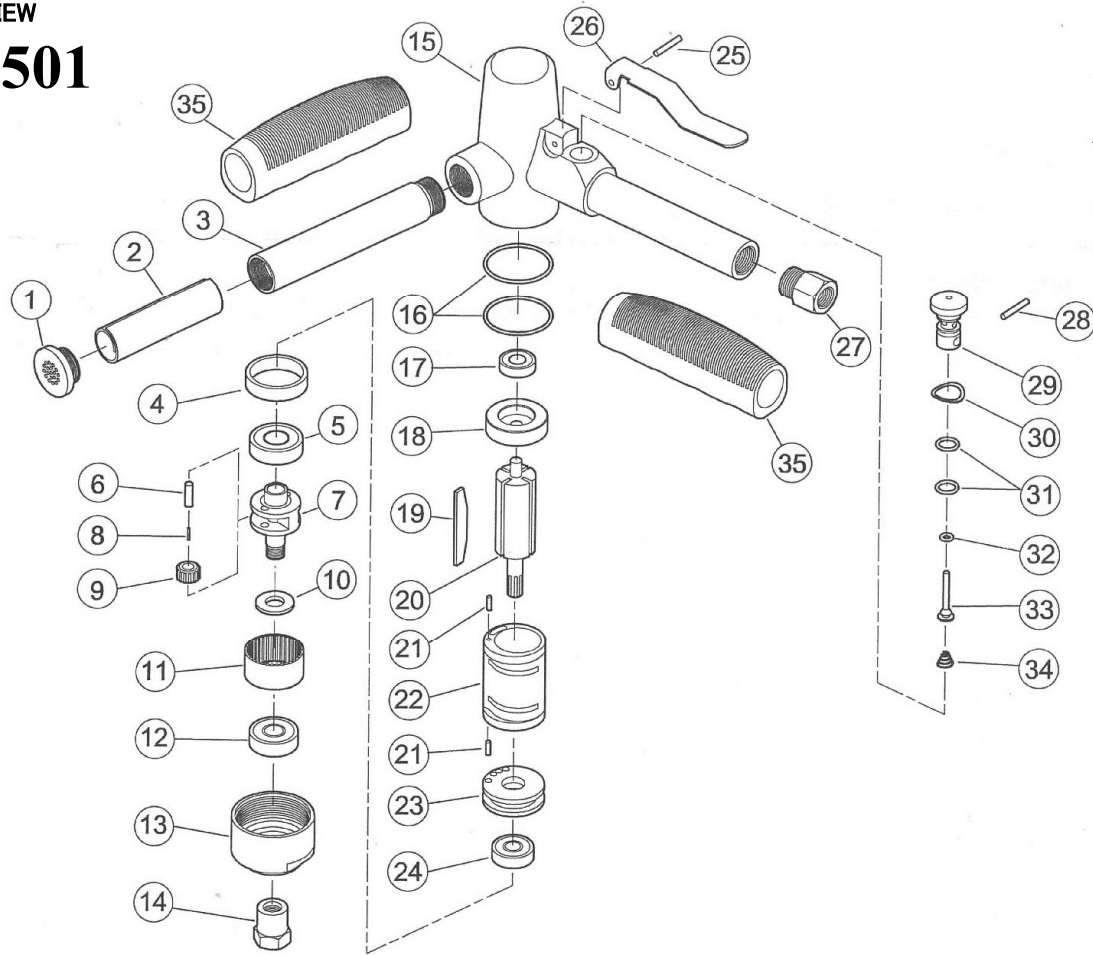


EXPLODED VIEW

# KVP-501



REF. NO.	PART NO.	PART NAME	Q'TY	REF. NO.	PART NO.	PART NAME	Q'TY
1	21501401	EXHAUST COVER	1	25	● Z0563X20	SPRING PIN	1
2	21501400	MUFFLER	1	26	● 21501120	THROTTLE LEVER	1
3	21501020	INLET HANDLE	1	27	● 21501110	INLET BUSHING	1
4	21501350	BEARING CAP	1	28	● Z0573X198	NEEDLE ROLLER	1
5	Z0016001ZZ	BALL BEARING	1	29	● 21501101	REGULATING VALVE	1
6	Z0574X138	NEEDLE ROLLER	2	30	● Z097112	WAVE WASHER	1
7	21501300	SPINDLE	1	31	● Z041KS7	O-RING	2
8	Z0571X78	NEEDLE ROLLER	30	32	● Z041KS2	O-RING	1
9	21501280	IDLER GEAR	2	33	● 21501130	THROTTLE VALVE PIN	1
10	21501250	SPACER	1	34	● 21501380	THROTTLE SPRING	1
11	21501260	INTERNAL GEAR	1	35	● 21501022	HANDLE COVER	2
12	Z0016000ZZ	BALL BEARING	1				
13	21501030	FRONT CASE	1				
14	21501680	NUT	1				
15+●	21501810	MOTOR CASE C.P.	1				
16	Z041AS027	O-RING	2				
17	Z001626ZZ	BALL BEARING	1				
18	21501240	REAR END PLATE	1				
19	21501220	ROTOR BLADE	4	<b>OPTIONAL ACCESSORY</b>			
20	21501210	ROTOR	1		Z3030551B	MAGIC BASE	1
21	Z05625X8	SPRING PIN	2		Z3005011	SPONGE BUFF	1
22	21501200	CYLINDER	1		Z3005012	WOOL BUFF	1
23	21501230	FRONT END PLATE	1				
24	Z001608ZZ	BALL BEARING	1				