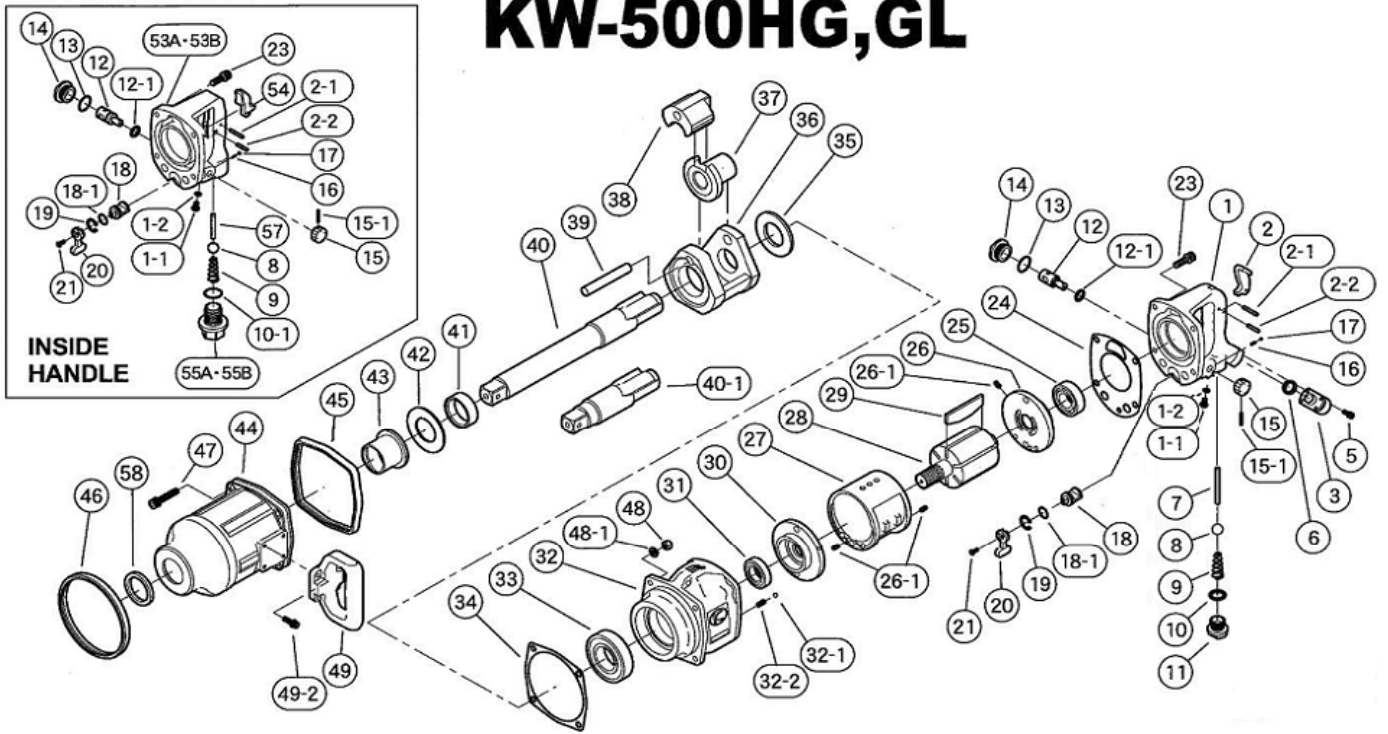


EXPLODED VIEW

KW-500HG, GL



PARTS LIST

REF.NO. on DRAW	PART NUMBER	PART NAME	Q'TY.	REF.NO. on DRAW	PART NUMBER	PART NAME	Q'TY.
1	0142080B1	Handle C.P.	1	32-1	Z0106D	Steel Ball	1
2	0132117D	Throttle Lever	1	32-2	0132991	Knock Spring	1
2-1	Z0614X28	Pin	1	33	Z0016208Z	Ball Bearing	1
2-2	Z0614X22	Pin	1	34	0345207	Impact Gasket	1
3	0345290	Inlet Bushing	1	35	0142025	Spacer	1
5	Z0665X12A	Bolt	4	36	0142026B	Impact Cage	1
6	Z040P16	"O"Ring	1	37	0142027B	Cam	1
7	0142013B	Throttle Valve Pin	1	38	0142028	Hammer	1
8	Z0115/8D	Throttle Valve Ball	1	39	0142019	Hammer Pin	1
9	0132190	Throttle Spring	1	40	0142030	Anvil GL	1
10	Z040P20	"O"Ring	1	40-1	0142030G	Anvil G	1
11	0132150	Plug	1	41	0142031	Cage Bushing	1
12	0446017	Regulating Valve	1	42	0142034	Thrust Plate	1
12-1	Z040P14	"O"Ring	1	43	0132132	Spindle Bushing	1
13	Z041S26	"O"Ring	1	44	0142082B	Impact Housing C.P.	1
14	04460391	Plug	1	45	0142071	Rear Rubber Protector	1
15	0442314	Regulating Valve Knob	1	46	0345270	Front Rubber Protector	1
15-1	Z0563X22	Pin	1	47	Z0668X45A	Bolt	4
16	0114193	Knock Spring	1	48	Z0918	Lock Nut	4
17	Z0104D	Steel Ball	1	48-1	Z0968X1	Washer	4
18	0142015B	Reverse Valve	1	49	0132104	"D" Hndle	1
18-1	Z041S18	"O"Ring	1	49-2	Z0666X20A	Bolt	4
19	Z03121	Retainer Ring	1	58	Z01742556	Oil Seal	1
20	0132915	Reverse Lever	1	1-1	Z0846X10	Screw	1
21	Z0674X12	Screw	1	1-2	Z040P6	"O"Ring	1
23	Z0668X25A	Bolt	4	PARTS FOR INSIDE TRIGGER HANDLE			
24	0142006B	Motor Gasket	1	10-1	Z040P28J	"O"Ring	1
25	Z0016205	Ball Bearing	1	53A	0550180BNS	Handle C.P.(NPT)	1
26	0132124	Rear End Plate	1	53B	0550180BTS	Handle C.P.(PT)	1
26-1	Z0565X10	Pin	3	54	0345417	Throttle Lever	1
27	0140509A	Cylinder	1	55A	0132919NIS	Inlet Bushing(NPT)	1
28	01420211	Rotor	1	55B	0132919IS	Inlet Bushing(PT)	1
29	0140512	Rotor Blade	6	57	0550113BT	Throttle Valve Pin	1
30	0132124	Front End Plate	1				
31	Z0016205Z	Ball Bearing	1				
32	0142081B5	Motor Case C.P.	1				