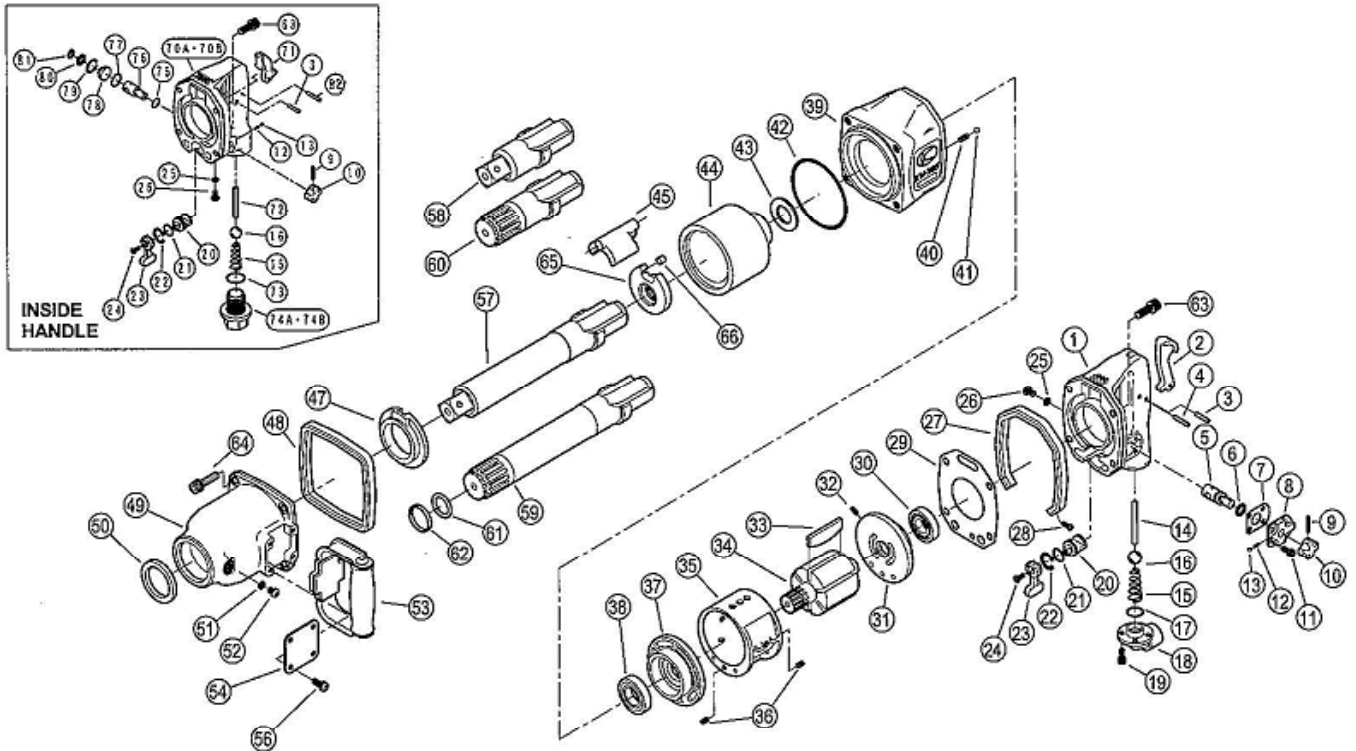


EXPLODED VIEW

KW-385G·GL·GS·GLS**PERAIR PART LIST**

REF. NO. on DRAW	PART NUMBER	PART NAME	Q'TY.	REF. NO. on DRAW	PART NUMBER	PART NAME	Q'TY.
1	0438580	Handle C.P.	1	41	Z0106D	Steel Ball	1
2	0222117	Throttle Lever	1	42	Z041S95	"O"Ring	1
3	Z0614X22	Pin	1	43	0438025	Spacer	1
4	Z0614X24	Pin	1	44	0438026	Hammer Wheel	1
5	0439013	Regulating Valve	1	45	0438028A	Hammer	1
6	Z040P11	"O"Ring	1	47	0439029	Wheel Receiver	1
7	0439071	Holder Gasket	1	48	0439034	Front Rubber Protector	1
8	0439070	Holder	1	49	0438582	Impact Housing C.P.	1
9	Z0563X22	Pin	1	50	Z01742556	Oil Seal	1
10	0439072	Regulating Valve Knob	1	51	Z040P6	"O"Ring	1
11	Z0665X10	Bolt	4	52	Z0886X8	SCREW	1
12	0114193	Knock Sprring	1	53	0439085	Dead Handle C.P.	1
13	Z0104D	Steel Ball	1	54	0439035	Protector Cover	1
14	0438513	Throttle Valve Pin	1	56	Z0696X15A	Screw	4
15	0132190	Thrrpille Spring	1	57	0439030	Anvil GL	1
16	Z0115/8D	Throttle Valve Ball	1	58	0439030G	Anvil G	1
17	Z040P20	"O"Ring	1	59	04394841	Spline Anvil C.P.(GLS)	1
18	0132919A	Inlet Bushing	1	60	04394842	Spline Anvil C.P.(GS)	1
19	Z0665X14A	Bolt	4	61	Z040P26	"O"Ring	1
20	0132916	Reverse Valve	1	62	0132202	Retainer Ring	1
21	Z041S18	"O"Ring	1	63	Z0668X25A	Bolt	1
22	Z03121	Retainer	1	64	Z0668X30A	Bolt	1
23	0132915	Reverse Lever	1	65	Z0578X8	Roller	4
24	Z0674X12	Screw	1	66	0438527	Cam	4
25	Z040P6	"O"Ring	1	PART FOR INSIDE HANDLE			
26	Z0846X10	Screw	1	70A	0438580i	Handle C.P.(PT)	1
27	0439040	Rear Rubber Protector	1	70B	0438580ni	Handle C.P.(NPT)	1
28	Z0804X12	Tapping Screw	2	71	0345417	Throttle Lever	1
29	0439006	Motor Housing Gasket	1	72	0120711	Throttle Valve Pin	1
30	Z0016204	Ball Bearing	1	73	Z040P28J	"O"Ring	1
31	0439024	Rear End Plate	1	74A	0132919is	Inlet Bushing	1
32	Z0564X10	Spring Pin	1	74B	0132919nis	Inlet Bushing (NPT)	1
33	0545022	Rotor Blade	6	75	Z041S15	"O"Ring	1
34	0445021A	Rotor	1	76	0439017i	Regulating Valve	1
35	0439020	Cylinder	1	77	Z041S20	"O"Ring	1
36	Z0565X8	Pin	2	78	0222150	Regulating Cap	1
37	0439023	Front End Plate	1	79	Z03020	Retainer Ring	1
38	Z0016205Z	Ball Bearing	1	80	02221501	Regulating Cap Lock	1
39	0438581	Motor Case C.P.	1	81	Z03210	Retainer Ring	1
40	0132991	Knock Spring	1	82	Z0614X26	Pin	1

KUKEN CO., LTD.

P.O. BOX 20 FUJIIDERA, OSAKA 583-0871 JAPAN
 3-6-15, NONOUE, HABIKINO-SHI, OSAKA JAPAN
 TEL : 81-72-953-0601
 FAX : 81-72-953-0605
<http://www.kuken.co.jp>

Product Improvement is continuing. Designs and Specifications are subject to change without notice or obligator

CAT.NO'07.08